

LIGHT BAR COLOR CHANGING IN-GROUND FIXTURE

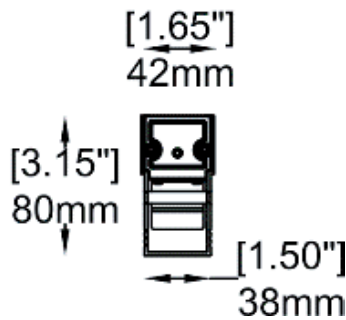
The Lightbar Color Changing In-ground is linear White light bar designed for Wall Washing, Grazing, Cove & Flood illumination for both interior and exterior applications. Select from 12", 19", 36" & 48" lengths. Our fixtures have integrated power supplies. Designed in the United States.

PRODUCT HIGHLIGHTS

- **BINNING:** ± 50K
- **CRI:** 90
- **IP RATING:** IP67
- **STARTER CABLE:** 6, 19 & 49FT
- **EXPECTED LIFETIME:** L70 > 50,000 hours
- **OPERATING TEMP:** - 40 ° F to 122 ° F
- **RATING:** ETL
- **HOUSING:** Aluminum
- **VOLTAGE:** 120/277, 24v
- **WARRANTY:** 5 Years
- **DIMMABLE:** DMX, Custom
- **BAA** available, consult factory

AVAILABLE COLORS

- TW 2700-6000K
- RGB/RGBW
- Custom



CHARACTERISTICS

Power		Lumen	MAX Run Length	Dimming
19 inch	18 w	800 lm	112 ft @ 120V / 160 ft @ 277V	DMX
39 inch	36 w	1600 lm		

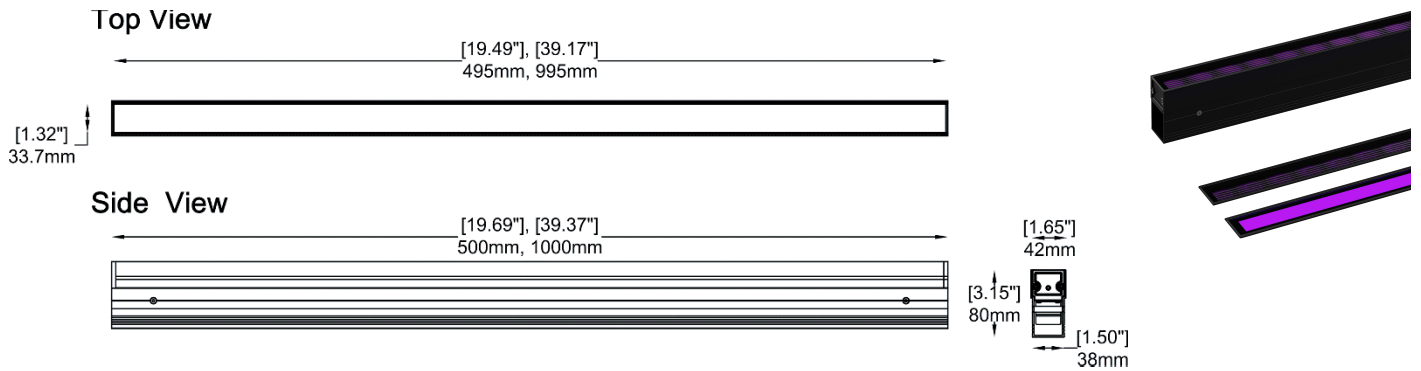
Notes:
Lumen calculated all on 2700K, 25 degree. Max Run calculated with 4 ft fixtures

ORDERING CHART

Example: LB-ige-19-RGBW-30-15-D3

Model	Length		Color		Optics		Dimming	
LB-ige	19	19 inch	RGBW-30	RGBW 30k	15	15°	D3	DMX
	39	39 inch	RGBW-35	RGBW 35k	25	25°	CU	Custom
	CU	Custom	RGBW-40	RGBW 40k	40	40°		
			RGBW-50	RGBW 50k	2055	20°x 55°		
			RGBW-60	RGBW 60k	CU	Custom		
			TW	2700-6000K				
			CU	Custom				

DIMENSIONS

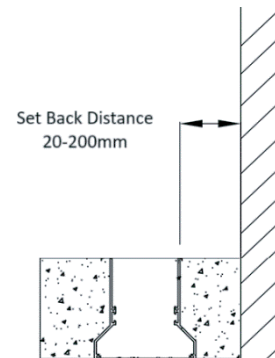


SET BACK DISTANCE

Correct setback distances ensure optimal lighting performance and effective wallwashing results

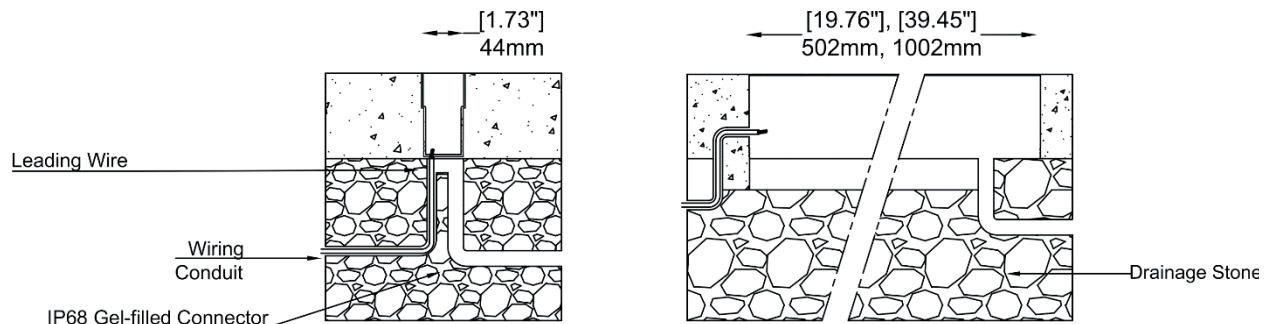
Recommended Setback Distances for Wallwashers

Set Back Distance	Purpose	Best Use
20mm-50mm	For narrow beams, smooth surfaces, glazing	Focused, intense lighting.
50mm-100mm	Balanced lighting for textured walls.	General wallwashing
100mm-200mm	Wide, even light for large areas.	Enhances textured surfaces



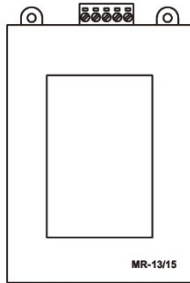
Note: Our recommended setback distances are only guidelines. The actual distance may vary depending on the specific wall texture, height, and lighting effect required for your project. Always adjust based on real-world conditions to achieve the best outcome.

INSTALLATION PREPARATION

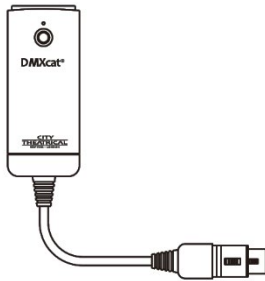


Cut-outD imension: 42mm x5 02mm /1002mm

LB-IG ACCESSORIES



Item: MR-WT25
Brand: MR Technology
Function: DMX Address Writer and Tester
Description: A portable, handheld device supporting DMX512 and RDM protocols, allowing for DMX channel programming, testing, and control with a USB Type-C power supply.



Item: DMXcat™
Brand: City Theatrical
Function: RDM Address Writer and Tester
Description: A compact, battery-powered tool for DMX and RDM control via Bluetooth, supporting DMX testing, RDM monitoring, and DIP switch configuration through a smartphone app.



Item: DXC-RGB-I-WI
Brand: Nicolaudie, Stick-DE3
Function: DMX Controller
Description: The Stick-DE3 is a compact DMX interface with 1024 DMX channels, offering scene storage and playback.. It supports real-time clock, calender with Sunrise/Sunset triggering.



LEDSCAPE DMX POWER SUPPLIES

The LEDscape Series of Constant Voltage Class 2 LED Drivers from offers both cETLus style enclosures. The enclosure has a built-in junction box on both the input and output. These drivers are IP68 and are suitable for all locations. With universal input voltage ranging from 120 to 277VAC, this series of drivers are designed for commercial, industrial and residential applications. Our DMX RGBW smooth flicker-free linear dimming down to 1% with any DMX controller. RDM Protocol for ease of on-site programming.

PRODUCT HIGHLIGHTS

- **INPUT VOLTAGE:** 120/277 V
- **OUTPUT VOLTAGE:** Variable 18-25V
- **INPUT FREQUENCY:** 50/60 HZ
- **OPERATING TEMP:** -13°F – 104°F
- **PROTOCOL:** DMX512 RDM
- **DEGREE OF PROTECTION (IP):** IP68
- **DIMMABLE:** to 1%
- **CLASS 2:** All sizes
- **LOAD REQUIREMENTS:** 10%

Note: If using outdoor, verify contractor use included water and moisture tight enclosure. Not direct burial rated.

POWER AND CONNECTION DIAGRAM

POWER SUPPLY = Product Wattage X Length

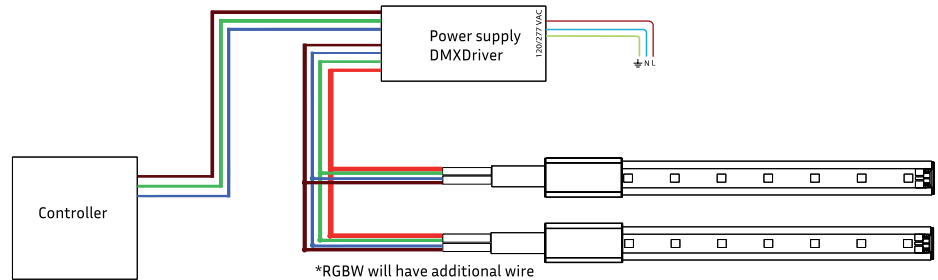
24 Nominal supply voltage of LEDscape in Volt
Recommended MAC output of power supply 80%

To calculate MAX run distance from Power Supply to LED reference power drop chart : [Here](#).

Note: If using outdoor, verify contractor use included water and moisture tight enclosure. Not direct burial rated.

CHARACTERISTICS

Power	Output Current	Efficiency	Power Factor	Dimensions
120W	4100mA	> 95%	>0.95	9.50" L X 3.62" W X 1.65" H
300W	8200mA	> 95%	>0.95	12.5" L X 10.25" W X 1.81" H



ORDERING CHART

NOTE: View additional options [here](#).

Ordering Example: PS-24-0-DMX-120-U

Series		Output Voltage		Environment		Dimming		Wattage		Voltage Input	
PS	Power Supply	24	24V	0	Outdoor/Indoor	DMX	DMX 512	120	60-120W	U	120/277V
								300	121-300W		
								CU	Custom Output		

Notes:

Power Supplies should still be in outdoor enclosure if direct buried application. LEDscape Lighting does NOT conduct start-up and/or programming. Advise to hire DMX professional if needed.

DISCLAIMER: The information on these pages are as accurate as possible, however LEDscape or any reseller of LEDscape cannot be held liable for any damages resulting from errors or outdated information. LEDscape reserves the right to modify the information without informing the customers. Check for the latest version on the Internet, the most up to date information will be published on www.ledscape.com. Qualified and Licensed Electrical Contractor must install the product. This product should not be used in applications, devices or systems where incorrect operation of the product may result in personal injury (includes emergency lighting) without written permission from LEDscape. If nevertheless used in such applications, devices or systems LEDscape cannot be held liable for any resulting injury.



LEDSCAPE CCT POWER SUPPLIES

The LEDscape Series of Constant Voltage Class 2 LED Drivers from offers both cETLus style enclosures. The enclosure has a built-in junction box on both the input and output. These drivers are IP68 and are suitable for all locations. With universal input voltage ranging from 120 to 277VAC, this series of drivers are designed for commercial, industrial and residential applications. Our smooth flicker-free linear dimming down to 1% with most Dimmers. Pick from Dim to Warm OR CCT Tunable.

PRODUCT HIGHLIGHTS

- **INPUT VOLTAGE:** 120/277 V
- **OUTPUT VOLTAGE:** Variable 18-25V
- **INPUT FREQUENCY:** 50/60 HZ
- **OPERATING TEMP:** -13°F – 104°F
- **CCT TUNABLE:** Triac, 0-10V
- **WARM DIM:** Triac, 0-10V
- **DEGREE OF PROTECTION (IP):** IP68
- **DIMMABLE:** to 1%
- **CLASS 2:** All sizes
- **LOAD REQUIREMENTS:** 10%

Note: If using outdoor, verify contractor use included water and moisture tight enclosure. Not direct burial rated.

POWER AND CONNECTION DIAGRAM

$$\text{POWER SUPPLY} = \text{Product Wattage} \times \text{Length} \times 120 \times \left[\frac{U \text{ Supply}}{24} \right]$$

OPTIONS:

U Set supply voltage of the power supply in Volt
24 Nominal supply voltage of LEDscape in Volt
Recommended MAC output of power supply 80%

To calculate MAX run distance from Power Supply to LED reference power drop chart : [Here](#).

Note: If using outdoor, verify contractor use included water and moisture tight enclosure. Not direct burial rated.

CHARACTERISTICS

Power	Output Current	Efficiency	Power Factor	Dimensions
30W	1250mA	> 96%	>0.95	7.50" L X 54.05" W X 1.65"H
96W	4800mA	> 96%	>0.95	8.50" L X 4.05" W X 1.65"H
150W	6100mA	> 86%	>0.95	12.15" L X 4.85" W X 1.65"H

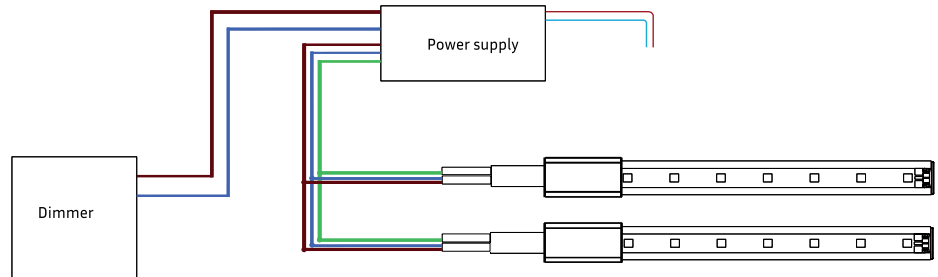


Illustration only, setup may differ. consult install instructions

ORDERING CHART

NOTE: View additional options [here](#).

Ordering Example: PS-24-0-CCT-60-U

Series		Output Voltage		Environment		Dimming		Wattage		Voltage Input	
PS	Power Supply	24	24V	0	Outdoor/Indoor	CCT	Tunable White & Warm Dimming	30	30W	U	120/277V
								96	31-96W		
								150	97-150W		
								CU	Custom Output		

DISCLAIMER: The information on these pages are as accurate as possible, however LEDscape or any reseller of LEDscape cannot be held liable for any damages resulting from errors or outdated information. LEDscape reserves the right to modify the information without informing the customers. Check for the latest version on the Internet, the most up to date information will be published on www.ledscape.com. Qualified and Licensed Electrical Contractor must install the product. This product should not be used in applications, devices or systems where incorrect operation of the product may result in personal injury (includes emergency lighting) without written permission from LEDscape. If nevertheless used in such applications, devices or systems LEDscape cannot be held liable for any resulting injury.