



LBPLUS FIXTURE

The LBPlus Lightbar is a White LED light bar designed for Direct view illumination for both interior and exterior applications. Our fixtures have integrated power supplies & DMX decoders.

PRODUCT HIGHLIGHTS

- **BINNING:** ± 50K
- **CRI:** 90
- **IP RATING:** IP66
- **STARTER CABLE:** 6, 19 & 49FT
- **EXPECTED LIFETIME:** L70 > 50,000 hours
- **OPERATING TEMP:** - 40 ° F to 122 ° F
- **RATING:** ETL
- **HOUSING:** Aluminum
- **VOLTAGE:** 120/277 24v
- **WARRANTY:** 5 Years
- **DIMMABLE:** 0-10V, Triac, and Custom
- BAA available, consult factory

AVAILABLE COLORS

- Extra Warm White 2700K
- Warm White 3000K
- Cool White 3500K
- Natural White 4000K
- Cool White 5000K
- Cold White 6500K
- Custom

CHARACTERISTICS

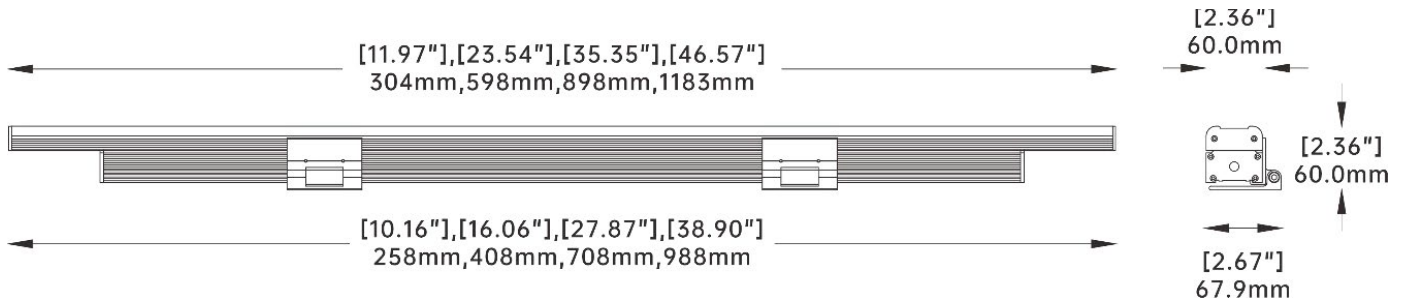
Power	Lumen	Max Run Length	Dimming
12 w/ft	1200 lm/ft	88 ft @ 120V / 160ft @ 277V	0-10V, Triac
<small>Notes: Lumen calculated at 2700K, 30 degree. Max Run calculated with 4 ft fixtures. Total Lengths w/ cable (see Pg. 5)</small>			

ORDERING CHART

Example: LBPlus-4-30-30-PB-ADJ-U-D1

Model	Length		Color		Optics		Finish		Mounting		Voltage		Control	
LBPlus	1	1 ft	27	2700k	8	8°	PG	Gray	ADJ	Adjustable	U	120/277v	D1	0-10V
	2	2 ft	30	3000K	15	15°	PB	Black	HADJ	High Adjustable	24	24v	D2	Triac
	3	3 ft	35	3500K	30	30°	PW	White	CU	Custom			CU	Custom
	4	4 ft	40	4000K	1540	15°x40°	PC	Custom						
	CU	Custom	50	5000K	1560	15°x60°								
			60	6000K	CU	Custom								
		CU	Custom											

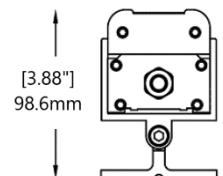
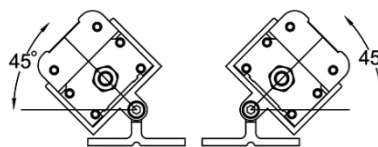
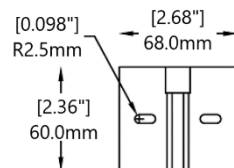
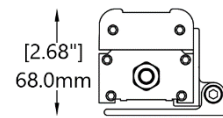
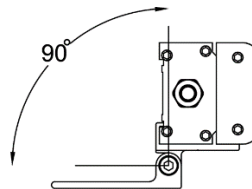
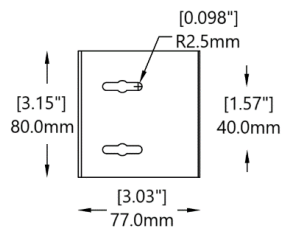
LBPLUS FIXTURE DIMENSIONS, MOUNTING & CORD DATA



Mounting Hole Layout

Rotation Angle

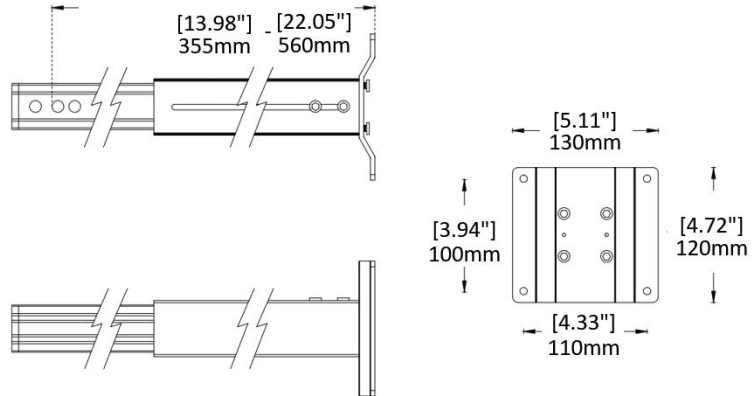
Height Specifications



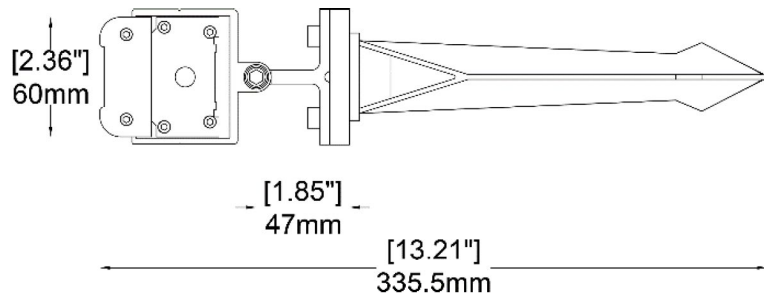
LBPLUS FIXTURE DIMENSIONS, MOUNTING & CORD DATA



LBPlus-ExtArm-S: 6- 9 inch
LBPlus-ExtArm: 14- 22 inch



Item: LBPlus-Stake

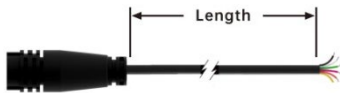


LBPLUS FIXTURE MOUNTING & CORDS (NOT INCLUDED)

Cable	Function	Core(US)	Wire Size	Core(EU)	Wire Size
Power lead in/ Power extension Cable	L (live)	Black	16AWG	Brown	1.3mm ²
	N (Neutral)	White	16AWG	Blue	1.3mm ²
	GND (Earth)	Green	16AWG	Yellow/Green	1.3mm ²
Data lead in	DIM+	Purple	20AWG	Purple	0.5mm ²
	DIM-	Pink	20AWG	Grey	0.5mm ²
	N/A	Yellow	20AWG	Yellow	0.5mm ²
Power and Data Power Combine	L (live)	Black	16AWG	Brown	1.3mm ²
	N (Neutral)	White	16AWG	Blue	1.3mm ²
	GND (Earth)	Green	16AWG	Yellow/Green	1.3mm ²
	DIM+	Purple	22AWG	Purple	0.3mm ²
	DIM-	Pink	22AWG	Grey	0.3mm ²
	N/A	Yellow	22AWG	Yellow	0.3mm ²

Starter Cable

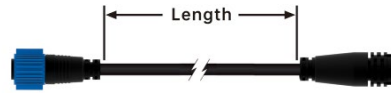
Function: Power/Data Lead-in
ITEM: LBPlus-Start-D1-**LENGTH** (0-10V)
 LBPlus-Start-D2-**LENGTH** (triac)



LENGTH: 6', 1 9', 49'

Jumper Cable

Function: Power/Data Jumper
ITEM: LBPlus-JMP-D1-**LENGTH** (0-10V)
 LBPlus-JMP-D2-**LENGTH** (triac)



LENGTH: 1', 6',

TEE Cable

Function: Power and Signal Combined
ITEM: T-joint LBPlus-Tee (0-10V only)



End Cap

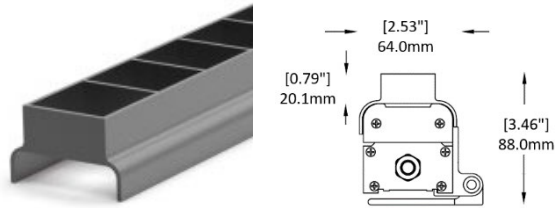
Function: Power/Data End Cap
ITEM: LBPlus-EndCap-D1(0-10V)
 LBPlus-EndCap-D2 (triac)



LBPLUS FIXTURE LOUVER (NOT INCLUDED)

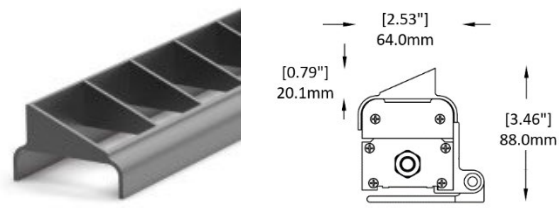
Symmetric Louver

ITEM: LBPlus-SYLOUVER- LENGTH



Symmetric Louver

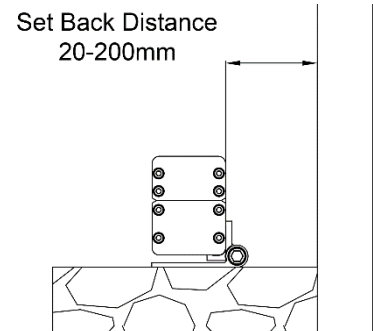
ITEM: LBPlus-ASYLOUVER- LENGTH



LENGTH: **1** [11.97"], **2**[23.54"], **3** [35.55"], **4** [46.57"]

RECOMMENDED SETBACK DISTANCES FOR WALLWASHER

Set Back Distance	Purpose	Best Use
20mm-50mm	For narrow beams, smooth surfaces, glazing	Focused, intense lighting.
50mm-100mm	Balanced lighting for textured walls.	General wallwashing
100mm-200mm	Wide, even light for large areas.	Enhances textured surfaces



Power/ft	Main Voltage	Max. power	Max. no. of 4 ft fixtures	Max. Cable Length (Leading + Interlink)
12W	120V	1080W	22 nos.	100 feet
12W	277V	1980W	41 nos.	180 feet

Note:

The actual maximum daisy chain limit may vary based on the gauge of the leading cable and the specific installation conditions. The values provided are recommended guidelines and should be considered as such. Please ensure that all installations comply with local electrical codes and safety standards.



LEDSCAPE OUTDOOR POWER SUPPLY

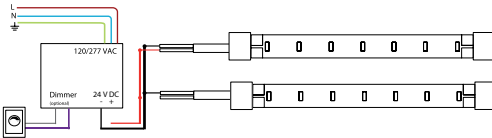
The LEDscape Series of Constant Voltage Class 2 LED Drivers from offers both cETLus style enclosures. The enclosure has a built-in junction box on both the input and output. These drivers are IP68 and are suitable for all locations. With universal input voltage ranging from 120 to 277VAC, this series of drivers are designed for commercial, industrial and residential applications. Our 5in1 smooth flicker-free linear dimming down to 1% and a wide variety of compatible dimmers, including 0-10V, Magnetic and Low voltage.

PRODUCT HIGHLIGHTS

- **INPUT VOLTAGE:** 120/277 V
- **OUTPUT VOLTAGE:** Variable 18-25V
- **INPUT FREQUENCY:** 50/60 HZ
- **OPERATING TEMP:** -13°F – 104°F
- **DEGREE OF PROTECTION (IP):** IP68
- **DIMMABLE:** to 1%
- **CLASS 2:** All sizes
- **LOAD REQUIREMENTS:** 10%

Note: If using outdoor, verify contractor use included water and moisture tight enclosure. Not direct burial rated.

POWER AND CONNECTION DIAGRAM



POWER SUPPLY = Product Wattage X Length

24 Nominal supply voltage of LEDscape in Volt
Recommended MAC output of power supply 80%

To calculate MAX run distance from Power Supply to LED reference power drop chart : [Here](#).

CHARACTERISTICS

Power	Output Current	Efficien	Power Factor	Dimensions
30W	1250mA	> 86%	>0.95	7.50" L X 3.62" W X 1.65"H
60W	2600mA	> 86%	>0.95	7.50" L X 3.62" W X 1.65"H
96W	4800mA	> 86%	>0.95	8.50" L X 3.66" W X 1.65"H
120W	5000mA	> 86%	>0.93	10.15" L X 4.85" W X 1.65"H
192W	8000mA	> 86%	>0.93	10.15" L X 4.85" W X 1.65"H
288W	8000mA	> 86%	>0.93	12.44" L X 4.85" W X 1.65" H
384W	16000mA	> 86%	>0.93	12.44" L X 4.85" W X 1.65" H

ORDERING CHART

NOTE: View additional options [here](#).

Ordering Example: PS-24-0-D3-60L-U

Series		Output Voltage		Environment		Dimming		Wattage		Voltage Input	
PS	Power supply	24	24V	0	Outdoor/Indoor	ND	Non Dimming	30L	10-30W	U	120/277V
						D3	5 in 1 Dimming	60L	31-60W		
								96L	61-96W		
								120L	97-120W		
								192L	121-192W		
								288L	193-288W		
								384L	289-384W		
								CUL	Custom Output		

DISCLAIMER: The information on these pages are as accurate as possible, however LEDscape or any reseller of LEDscape cannot be held liable for any damages resulting from errors or outdated information. LEDscape reserves the right to modify the information without informing the customers. Check for the latest version on the Internet, the most up to date information will be published on www.ledscape.com. Qualified and Licensed Electrical Contractor must install the product. This product should not be used in applications, devices or systems where incorrect operation of the product may result in personal injury (includes emergency lighting) without written permission from LEDscape. If nevertheless used in such applications, devices or systems LEDscape cannot be held liable for any resulting injury.