



## LBPLUS COLOR CHANGING FIXTURE

The LBPlus Color Changing Lightbar is an RGBW LED light bar designed for Direct view illumination for both interior and exterior applications. Our fixtures have integrated power supplies & DMX decoders.

### PRODUCT HIGHLIGHTS

- **BINNING:** ± 50K
- **CRI:** 90
- **IP RATING:** IP67
- **STARTER CABLE:** 6, 19 & 49FT
- **EXPECTED LIFETIME:** L70 > 50,000 hours
- **OPERATING TEMP:** - 40 ° F to 122 ° F
- **RATING:** ETL
- **HOUSING:** Aluminum
- **VOLTAGE:** 120/277 V4v
- **WARRANTY:** 5 Years
- **DIMMABLE:** DMX512
- BAA available, consult factory

### AVAILABLE COLORS

- TW 2700-6000K
- RGBW
- Custom

### CHARACTERISTICS

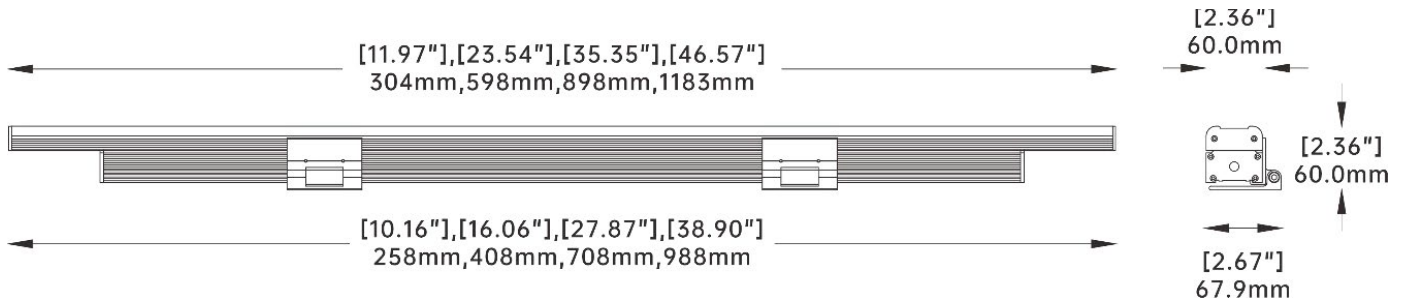
Power	Lumen	Max Run Length	Dimming
12 w/ft	1200 lm/ft	84 ft @ 120V / 168 ft @ 277V	DMX / RDM
<small>Notes: Lumen calculated at 2700K, 25 degree. Max Run calculated with 4 ft fixtures Total Lengths w/ cable (see Pg. 5)</small>			

### ORDERING CHART

Example: LBPlus-4-RGBW-30-30-PB-ADJ-D2

Model	Length		Color		Optics		Finish		Mounting		Voltage		Control	
	1	2	3	4	15	30	45	60	ADJ	HADJ	U	24	D3	D2
LBPlus	1	1 ft	RGBW-27	RGBW-27k	15	15°	PG	Gray	ADJ	Adjustable	U	120/277v	D3	DMX
	2	2 ft	RGBW-30	RGBW-30K	30	30°	PB	Black	HADJ	High Adjustable	24	24v	D2	RDM
	3	3 ft	RGBW-35	RGBW-35K	45	45°	PW	White					CU	Custom
	4	4 ft	RGBW-40	RGBW-40K	60	60°	PC	Custom						
	CU	Custom	TW	2700-6000K	2050	20°x50°								
			CU	Custom	CU	Custom								

**LBPLUS FIXTURE DIMENSIONS, MOUNTING & CORD DATA**



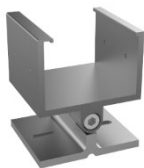
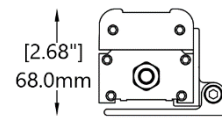
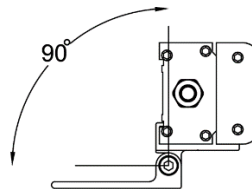
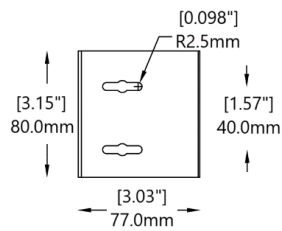
**Mounting Hole Layout**

**Rotation Angle**

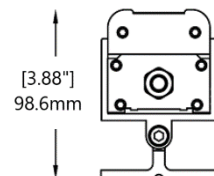
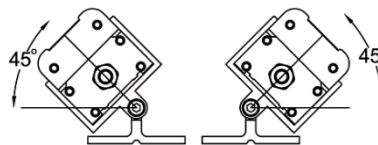
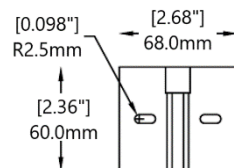
**Height Specifications**



Order with Suffix  
**ADJ**



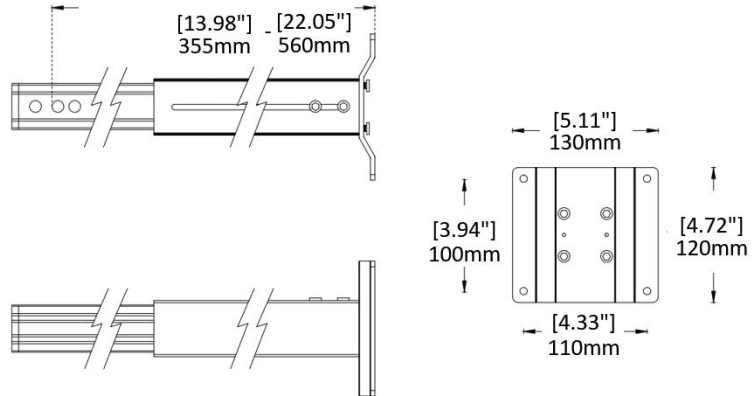
Order with Suffix -  
**H-ADJ**



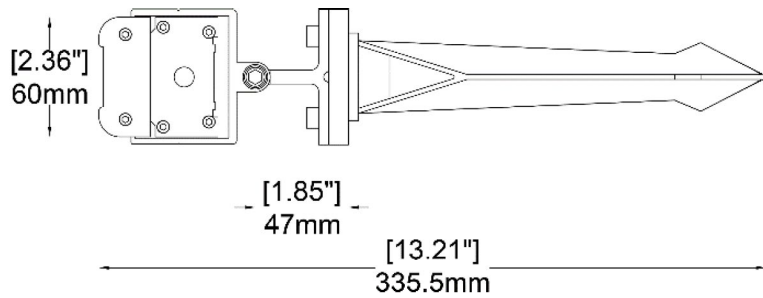
**LBPLUS FIXTURE DIMENSIONS, MOUNTING & CORD DATA**



**LBPlus-ExtArm-S:** 6- 9 inch  
**LBPlus-ExtArm:** 14- 22 inch



**Item:** LBPlus-Stake

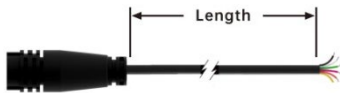


**LBPLUS FIXTURE MOUNTING & CORDS (NOT INCLUDED)**

Cable	Function	Core(US)	Wire Size	Core(EU)	Wire Size
<b>Power lead in/ Power extension Cable</b>	L (live)	Black	16AWG	Brown	1.3mm <sup>2</sup>
	N (Neutral)	White	16AWG	Blue	1.3mm <sup>2</sup>
	GND (Earth)	Green	16AWG	Yellow/Green	1.3mm <sup>2</sup>
<b>Data lead in</b>	DIM+	Purple	20AWG	Purple	0.5mm <sup>2</sup>
	DIM-	Pink	20AWG	Grey	0.5mm <sup>2</sup>
	N/A	Yellow	20AWG	Yellow	0.5mm <sup>2</sup>
<b>Power and Data Power Combine</b>	L (live)	Black	16AWG	Brown	1.3mm <sup>2</sup>
	N (Neutral)	White	16AWG	Blue	1.3mm <sup>2</sup>
	GND (Earth)	Green	16AWG	Yellow/Green	1.3mm <sup>2</sup>
	DIM+	Purple	22AWG	Purple	0.3mm <sup>2</sup>
	DIM-	Pink	22AWG	Grey	0.3mm <sup>2</sup>
	N/A	Yellow	22AWG	Yellow	0.3mm <sup>2</sup>

**Starter Cable**

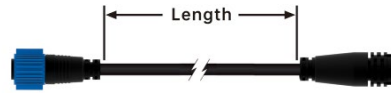
Function: Power/Data Lead-in  
ITEM: LBPlus-Start-D1-LENGTH



LENGTH: 6', 19', 49', Custom

**Jumper Cable**

Function: Power/Data Jumper  
ITEM: LBPlus-JMP-D1-LENGTH  
LBPlus-JMP-D2-LENGTH



LENGTH: 1', 6', 19', Custom

**TEE Cable**

Function: Power and Signal Combined  
ITEM: T-joint LBPlus-Tee



**End Cap**

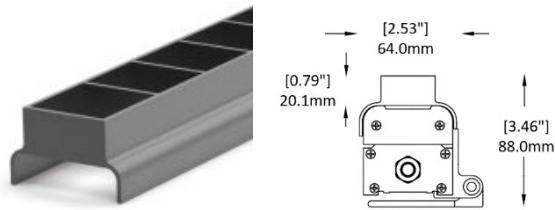
Function: Power/Data End Cap  
ITEM: LBPlus-EndCap-D1



**LBPLUS FIXTURE LOUVER (NOT INCLUDED)**

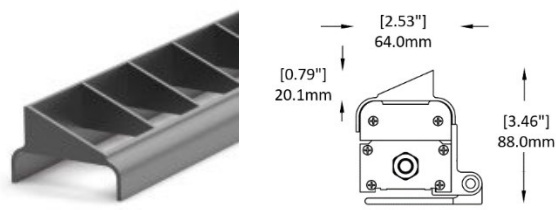
Symmetric Louver

ITEM: LBPlus-SYLOUVER- LENGTH



Symmetric Louver

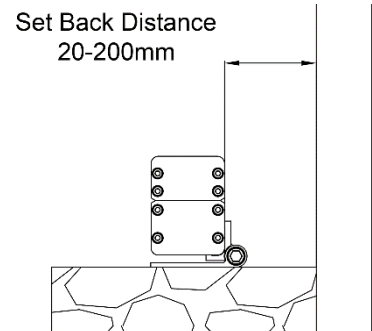
ITEM: LBPlus-ASYLOUVER- LENGTH



LENGTH: **1** [11.97\"], **2**[23.54\"], **3** [35.55\"], **4** [46.57\"]

**RECOMMENDED SETBACK DISTANCES FOR WALLWASHER**

Set Back Distance	Purpose	Best Use
20mm-50mm	For narrow beams, smooth surfaces, glazing	Focused, intense lighting.
50mm-100mm	Balanced lighting for textured walls.	General wallwashing
100mm-200mm	Wide, even light for large areas.	Enhances textured surfaces



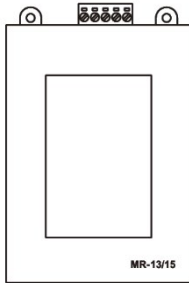
Power/ft	Main Voltage	Max. power	Max. no. of 4 ft fixtures	Max. Cable Length (Leading + Interlink)
12W	120V	1080W	22 nos.	65 feet
12W	277V	1980W	41 nos.	98 feet

**Note:**

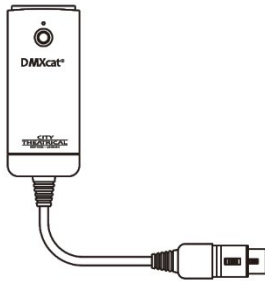
The actual maximum daisy chain limit may vary based on the gauge of the leading cable and the specific installation conditions. The values provided are recommended guidelines and should be considered as such. Please ensure that all installations comply with local electrical codes and safety standards.

**LBPLUS ACCESSORIES**

---



**Item:** MR-WT25  
**Brand:** MR Technology  
**Function:** DMX Address Writer and Tester  
**Description:** A portable, handheld device supporting DMX512 and RDM protocols, allowing for DMX channel programming, testing, and control with a USB Type-C power supply.



**Item:** DMXcat™  
**Brand:** City Theatrical  
**Function:** RDM Address Writer and Tester  
**Description:** A compact, battery-powered tool for DMX and RDM control via Bluetooth, supporting DMX testing, RDM monitoring, and DIP switch configuration through a smartphone app.



**Item:** DXC-RGB-I-WI  
**Brand:** Nicolaudie, Stick-DE3  
**Function:** DMX Controller  
**Description:** The Stick-DE3 is a compact DMX interface with 1024 DMX channels, offering scene storage and playback.. It supports real-time clock, calender with Sunrise/Sunset triggering.



## LEDSCAPE DMX POWER SUPPLIES

The LEDscape Series of Constant Voltage Class 2 LED Drivers from offers both cETLus style enclosures. The enclosure has a built-in junction box on both the input and output. These drivers are IP68 and are suitable for all locations. With universal input voltage ranging from 120 to 277VAC, this series of drivers are designed for commercial, industrial and residential applications. Our DMX RGBW smooth flicker-free linear dimming down to 1% with any DMX controller. RDM Protocol for ease of on-site programming.

### PRODUCT HIGHLIGHTS

- **INPUT VOLTAGE:** 120/277 V
- **OUTPUT VOLTAGE:** Variable 18-25V
- **INPUT FREQUENCY:** 50/60 HZ
- **OPERATING TEMP:** -13°F – 104°F
- **PROTOCOL:** DMX512 RDM
- **DEGREE OF PROTECTION (IP):** IP68
- **DIMMABLE:** to 1%
- **CLASS 2:** All sizes
- **LOAD REQUIREMENTS:** 10%

Note: If using outdoor, verify contractor use included water and moisture tight enclosure. Not direct burial rated.

### POWER AND CONNECTION DIAGRAM

**POWER SUPPLY** = Product Wattage X Length

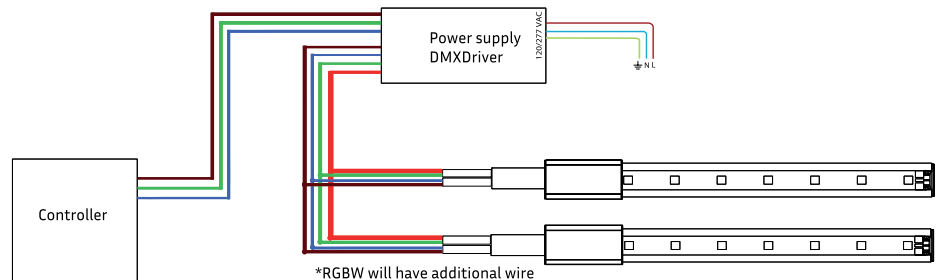
24 Nominal supply voltage of LEDscape in Volt  
Recommended MAC output of power supply 80%

To calculate MAX run distance from Power Supply to LED reference power drop chart : [Here](#).

Note: If using outdoor, verify contractor use included water and moisture tight enclosure. Not direct burial rated.

### CHARACTERISTICS

Power	Output Current	Efficiency	Power Factor	Dimensions
120W	4100mA	> 95%	>0.95	9.50" L X 3.62" W X 1.65" H
300W	8200mA	> 95%	>0.95	12.5" L X 10.25" W X 1.81" H



### ORDERING CHART

**NOTE:** View additional options [here](#).

**Ordering Example:** PS-24-0-DMX-120-U

Series		Output Voltage		Environment		Dimming		Wattage		Voltage Input	
PS	Power Supply	24	24V	0	Outdoor/Indoor	DMX	DMX 512	120	60-120W	U	120/277V
								300	121-300W		
								CU	Custom Output		

**Notes:**

Power Supplies should still be in outdoor enclosure if direct buried application. LEDscape Lighting does NOT conduct start-up and/or programming. Advise to hire DMX professional if needed.

**DISCLAIMER:** The information on these pages are as accurate as possible, however LEDscape or any reseller of LEDscape cannot be held liable for any damages resulting from errors or outdated information. LEDscape reserves the right to modify the information without informing the customers. Check for the latest version on the Internet, the most up to date information will be published on [www.ledscape.com](http://www.ledscape.com). Qualified and Licensed Electrical Contractor must install the product. This product should not be used in applications, devices or systems where incorrect operation of the product may result in personal injury (includes emergency lighting) without written permission from LEDscape. If nevertheless used in such applications, devices or systems LEDscape cannot be held liable for any resulting injury.



## LEDSCAPE CCT POWER SUPPLIES

The LEDscape Series of Constant Voltage Class 2 LED Drivers from offers both cETLus style enclosures. The enclosure has a built-in junction box on both the input and output. These drivers are IP68 and are suitable for all locations. With universal input voltage ranging from 120 to 277VAC, this series of drivers are designed for commercial, industrial and residential applications. Our smooth flicker-free linear dimming down to 1% with most Dimmers. Pick from Dim to Warm OR CCT Tunable.

### PRODUCT HIGHLIGHTS

- **INPUT VOLTAGE:** 120/277 V
- **OUTPUT VOLTAGE:** Variable 18-25V
- **INPUT FREQUENCY:** 50/60 HZ
- **OPERATING TEMP:** -13°F – 104°F
- **CCT TUNABLE:** Triac, 0-10V
- **WARM DIM:** Triac, 0-10V
- **DEGREE OF PROTECTION (IP):** IP68
- **DIMMABLE:** to 1%
- **CLASS 2:** All sizes
- **LOAD REQUIREMENTS:** 10%

Note: If using outdoor, verify contractor use included water and moisture tight enclosure. Not direct burial rated.

### POWER AND CONNECTION DIAGRAM

$$\text{POWER SUPPLY} = \text{Product Wattage} \times \text{Length} \times 120 \times \left[ \frac{U \text{ Supply}}{24} \right]$$

#### OPTIONS:

U Set supply voltage of the power supply in Volt  
24 Nominal supply voltage of LEDscape in Volt  
Recommended MAC output of power supply 80%

To calculate MAX run distance from Power Supply to LED reference power drop chart : [Here](#).

Note: If using outdoor, verify contractor use included water and moisture tight enclosure. Not direct burial rated.

### CHARACTERISTICS

Power	Output Current	Efficiency	Power Factor	Dimensions
30W	1250mA	> 96%	>0.95	7.50" L X 54.05" W X 1.65"H
96W	4800mA	> 96%	>0.95	8.50" L X 4.05" W X 1.65"H
150W	6100mA	> 86%	>0.95	12.15" L X 4.85" W X 1.65"H

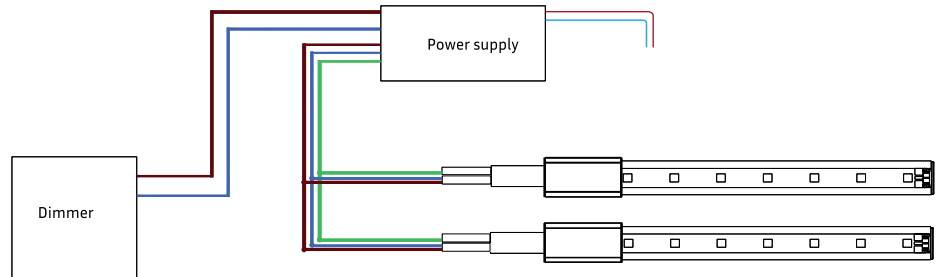


Illustration only, setup may differ. consult install instructions

### ORDERING CHART

**NOTE:** View additional options [here](#).

**Ordering Example:** PS-24-0-CCT-60-U

Series		Output Voltage		Environment		Dimming		Wattage		Voltage Input	
PS	Power Supply	24	24V	0	Outdoor/Indoor	CCT	Tunable White & Warm Dimming	30	30W	U	120/277V
								96	31-96W		
								150	97-150W		
								CU	Custom Output		

**DISCLAIMER:** The information on these pages are as accurate as possible, however LEDscape or any reseller of LEDscape cannot be held liable for any damages resulting from errors or outdated information. LEDscape reserves the right to modify the information without informing the customers. Check for the latest version on the Internet, the most up to date information will be published on [www.ledscape.com](http://www.ledscape.com). Qualified and Licensed Electrical Contractor must install the product. This product should not be used in applications, devices or systems where incorrect operation of the product may result in personal injury (includes emergency lighting) without written permission from LEDscape. If nevertheless used in such applications, devices or systems LEDscape cannot be held liable for any resulting injury.